

三棍閘 Tripod turnstiles

ES240CS-T3A-1200



深圳市愛森斯信息技術有限公司
Essence Infomation Technology Co., Ltd



2017
www.a-e.cn



Tripod turnstiles is the wisdom of channel management equipment, this equipment has the economy and prevent personnel follow, occupying less area, installation environment of low demand characteristics, authorized personnel can pass without the need for each individual to accept the inspection, refused to unauthorized access, provide high quality import and export control.

Essential information

- ◆ Model: ES240CS-T3A-1200
- ◆ Size: 1200*240*980(mm)
- ◆ Box Material: 1.5mm SUS#304
- ◆ Obstacle Material: Stainless steel pipe
- ◆ Place of use: In door/out door
- ◆ Pass width: 540mm

Scope of application



Width		
≤ 540mm		
		Inappropriate
		Suitable for use

Electrical and environmental

- ◆ Voltage: 100 to 240 V alternating current (large range power input voltage)
- ◆ Frequency: single phase 50Hz to 60Hz
- ◆ Working voltage: DC24V
- ◆ Current: static 300mA; dynamic 3A (maximum operating current)
- ◆ Operating temperature: -20 to 60 degrees C (-4 to 140 degrees F)
- ◆ Storage temperature: -40 to 60 degrees C (40 to 140 degrees F)
- ◆ Relative humidity: 5% to 95% under non coagulation

Mechanism performance

- ◆ Door positioning: servo mobile positioning encoder
- ◆ Safe mode: automatic drop after power failure
- ◆ Power drive: DC brushless servo motor
- ◆ Brake lever control: more than 80 kg force clutch device
- ◆ Rotation angle: 120 degrees;
- ◆ Equipment noise: ≤ 52db; switch gate ≤ 60db
- ◆ Through the speed: about 20 people / min
- ◆ Mean Cycles Between Failure(MCBF) : 1 million times

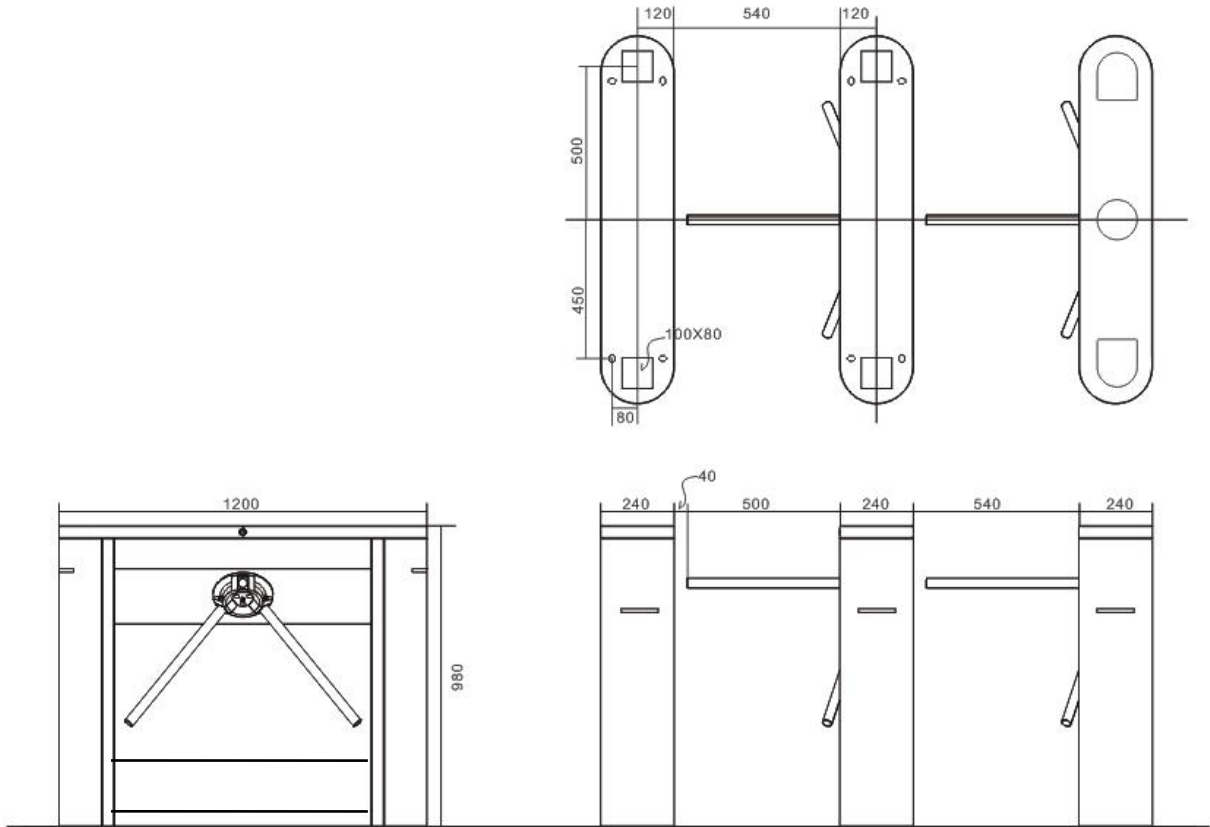
Functional characteristics

- ◆ The whole system is running the stepless positioning device, the operation process is controlled by the sensor, no mechanical collision
- ◆ Unique disk lock structure and multi-level sensor positioning mechanism, high security, no noise
- ◆ CNC machining, surface fine processing, strong corrosion resistance;
- ◆ Convenient and easy to use, the most widely used products
- ◆ Access mode: one-way, two-way (optional)
- ◆ Control mode: 9 kinds of two-way control mode to choose from;
- ◆ Light Tip: Status indication / direction indication;
- ◆ It has the function of lightning protection and leakage protection;
- ◆ Protection function: it has the functions of anti pinch, anti-collision, anti stall, anti electric, over voltage and over current;
- ◆ Standard external electrical interface, with photoelectric safety isolation, with a variety of control equipment linked to facilitate system integration;
- ◆ Remote control and setting functions;
- ◆ Pass memory: support 0 ~ 99 continuous open signal input;
- ◆ Man-machine interface with user-friendly interface: convenient for user debugging;
- ◆ IP43 protection level, good for outdoor use

Customizable options

- ◆ Material: Optional SUS # 316 or other
- ◆ Appearance: spray color or electroplate (user provide swatches)
- ◆ Surface: wiredrawing / polish / sand blasting (standard for wiredrawing)
- ◆ Card area: custom printed designs
- ◆ Sound: Can install voice module
- ◆ Other: customizable other biometric modules in the gates
- ◆ Installation: customized installation platform (no ground grooving)

Standard product size:



Outdoor installation requirements:
-the largest waterproof soaking depth:

